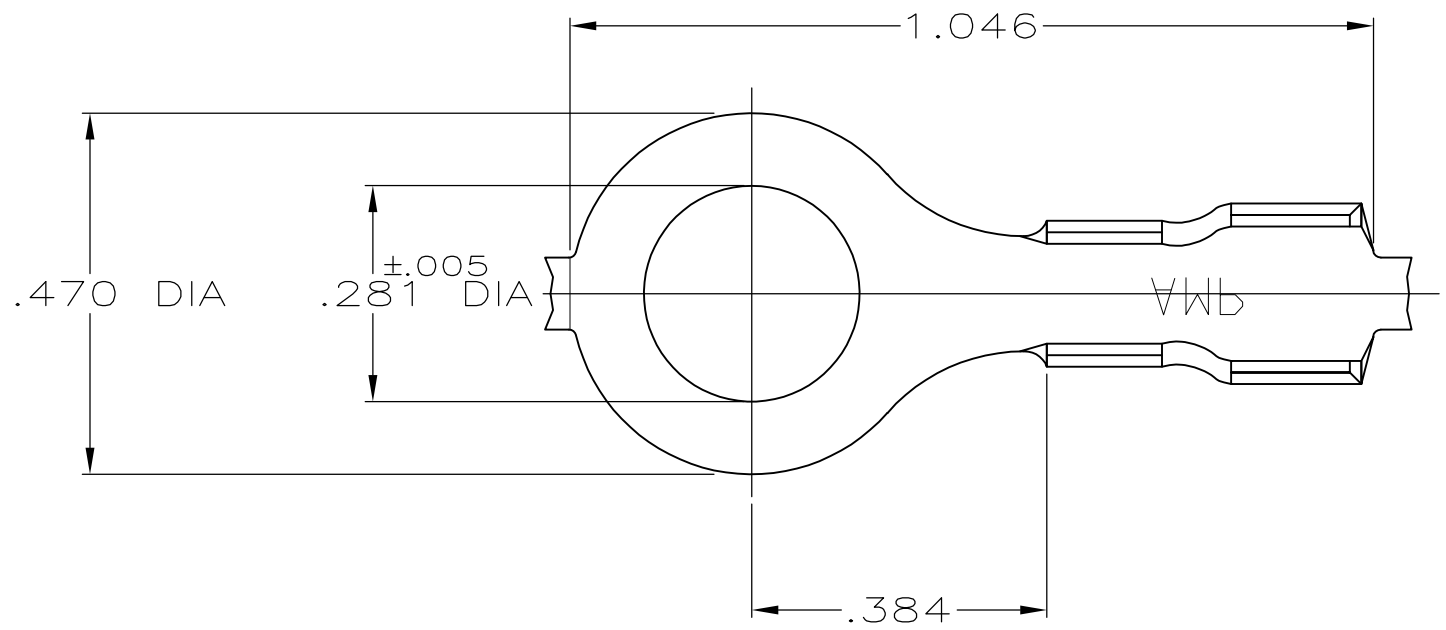
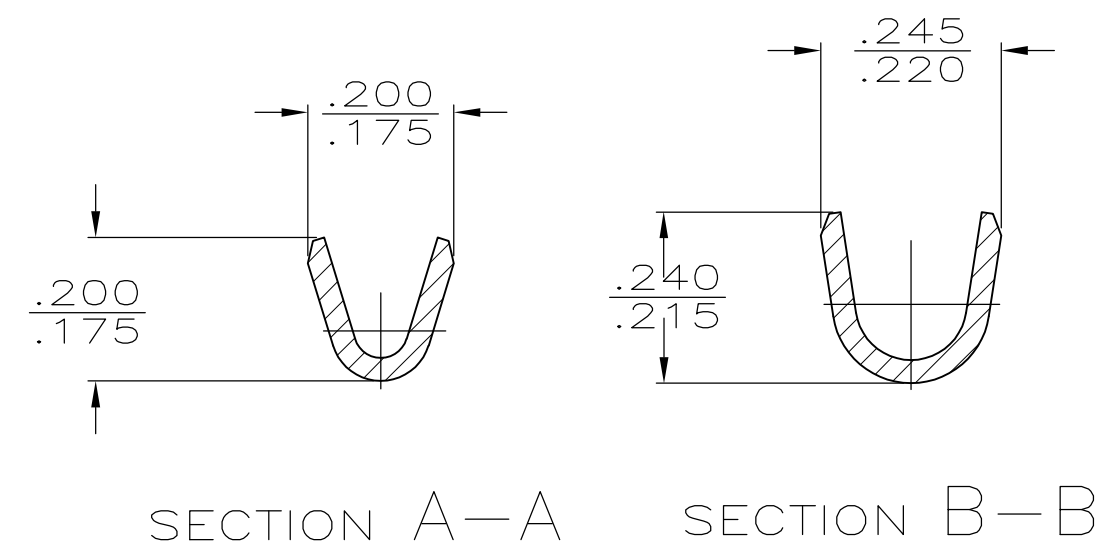
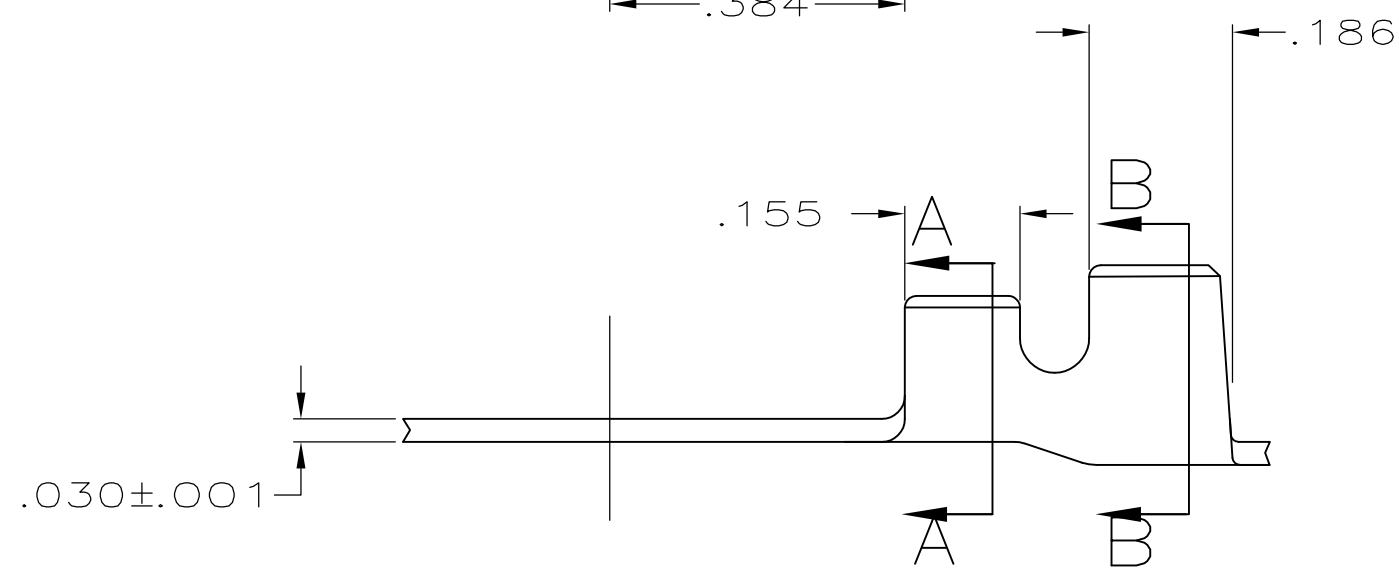


THIS DRAWING IS UNPUBLISHED. RELEASED FOR PUBLICATION  
 © COPYRIGHT BY TYCO ELECTRONICS CORPORATION. ALL INTERNATIONAL RIGHTS RESERVED.

LOC	DIST	REVISIONS			
P	LTR	DESCRIPTION	DATE	DWN	APVD
AF	50	L	REVISED PER ECR-10-006099	07JUL10	HMR PD



1. CONTINUOUS STRIP ON REELS



.120-.180 DIA	16-14 AWG	42938-2
INSULATION RANGE	WIRE SIZE	PART NO

F or O	.210	.220	F	.155	.087	14
					.081	16
TYPE	WIDTH	STRIP LENGTH ±.015	TYPE	WIDTH	±.002 HEIGHT	WIRE
INSUL BARREL CRIMP			WIRE BARREL CRIMP			

THIS DRAWING IS A CONTROLLED DOCUMENT.

DIMENSIONS: INCHES

TOLERANCES UNLESS OTHERWISE SPECIFIED:

0 PLC ± -  
 1 PLC ± -  
 2 PLC ± -  
 3 PLC ± .015  
 4 PLC ± -  
 ANGLES ± -

MATERIAL: #2 HARD BRASS  
 FINISH: TIN

DWN P FORTNEY 4/16/90	 Tyco Electronics Corporation Harrisburg, PA 17105-3608	NAME		RESTRICTED TO	
CHK JR RUTH 4/16/90		RING			
APVD G YETTER 4/16/90/16/90		SIZE	CAGE CODE		DRAWING NO
PRODUCT SPEC		A3	00779		C-42938
APPLICATION SPEC	WEIGHT -		SCALE 4:1	SHEET 1 OF 1	
CUSTOMER DRAWING			REV L		